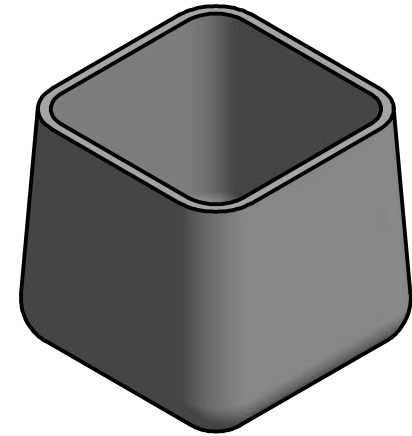
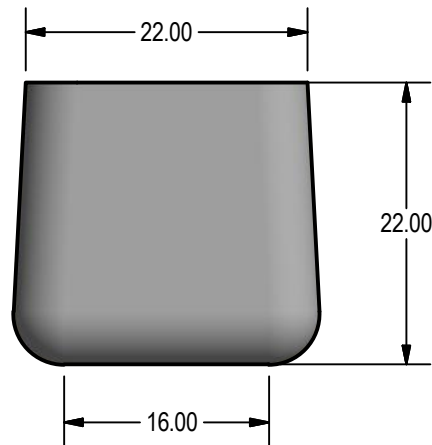
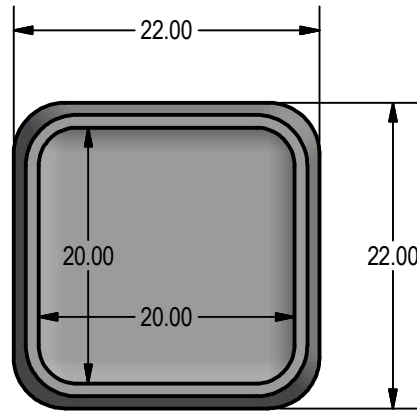




023 DUKE PLANTER

SELECT DESIRED FINISH:

- BR - BRASS
- B - BRONZE
- I - CAST IRON
- CB - COBALT BLUE
- CF - COFFEE
- C - COPPER
- ES - ESPRESSO
- MB - MATTE BLACK
- MG - MATTE GREY
- MW - MATTE WHITE
- R - OXBLOOD
- SW - SHINY WHITE
- BK - SHINY BLACK
- SS - STAINLESS STEEL
- ST - STERLING

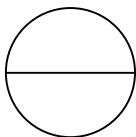


ISOMETRIC VIEW

SIZE	TOP DIA.	BASE DIA.	HEIGHT	WEIGHT WITH CARTON
22X16X22	22"	16"	22"	20 lbs.
27X20X28	27"	20"	28"	37 lbs.

NOTES:

1. INSTALLATION TO BE COMPLETED IN ACCORDANCE WITH MANUFACTURER'S SPECIFICATIONS.
2. ALL DIMENSIONS ARE CONSIDERED TRUE AND REFLECT MANUFACTURER'S SPECIFICATIONS.
3. DO NOT SCALE DRAWING.
4. THESE DRAWINGS ARE NOT FOR CONSTRUCTION PURPOSES AND ARE FOR INFORMATION PURPOSES ONLY. ALL INFORMATION CONTAINED HEREIN WAS CURRENT AT THE TIME OF DEVELOPMENT BUT MUST BE REVIEWED AND APPROVED BY THE PRODUCT MANUFACTURER TO BE CONSIDERED ACCURATE.



PLANTERS

023 DUKE - PLANTER
 DIMENSIONS ARE IN INCHES