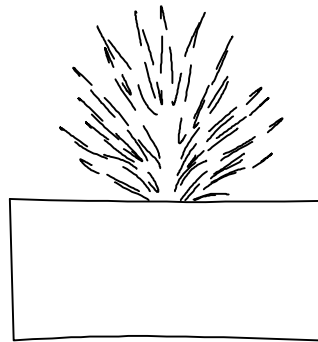




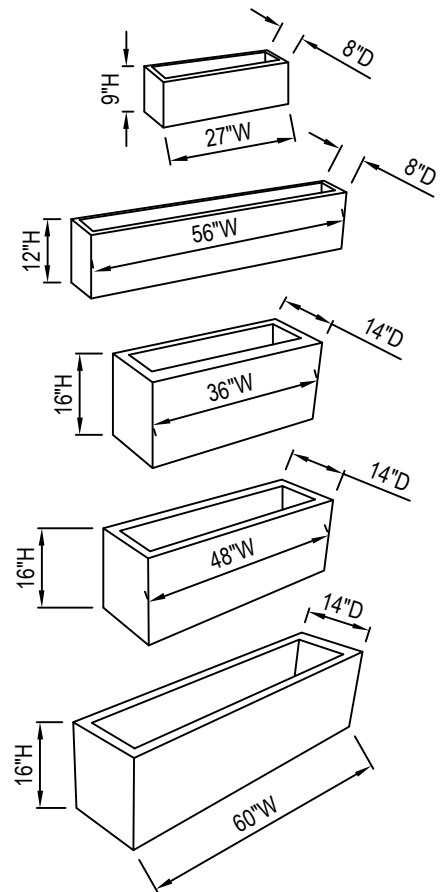
IAP INTERNATIONAL ART PROPERTIES
 2868 CHAPMAN STREET
 OAKLAND, CA 94601
 TOLL FREE: 1-800-426-6471
 PHONE: (510) 536-4886
 www.iapsf.com

SELECT DESIRED FINISH:

- SR - SILVER
- W - WHITE
- B - BRONZE
- TC - TERRACOTTA
- I - CAST IRON
- BK - BLACK
- CF - COFFEE
- MB - MATTE BLACK
- BR - BRASS
- SS - STAINLESS STEEL
- SW - SHINY WHITE
- CB - COBALT BLUE
- R - OXBLOOD
- C - COPPER
- ES - ESPRESSO



FRONT VIEW



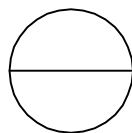
ISOMETRIC VIEWS

	OUTSIDE DIMENSIONS			INSIDE DIMENSIONS			WEIGHT WITH CARTON (LBS)
	DIAMETER	BASE	HEIGHT	DIAMETER	BASE	HEIGHT	
	27 X 8	27 X 8	9	25 X 6.5	26.5 X 7.5	7	15
R	36 X 14	36 X 14	16	32 X 10	35.5 X 13.5	14	28
	36 X 14	36 X 14	16	32 X 10	35.5 X 13.5	14	30
	48 X 14	48 X 14	16	44 X 10	47.5 X 13.5	14	50
	56 X 8	56 X 8	12	54 X 6	55.5 X 7.5	10	32
R	60 X 14	60 X 14	16	56 X 10	59.5 X 13.5	14	58
	60 X 14	60 X 14	16	56 X 10	59.5 X 13.5	14	65

* R = RECESSED BASE FOR CASTERS

NOTES:

- INSTALLATION TO BE COMPLETED IN ACCORDANCE WITH MANUFACTURER'S SPECIFICATIONS.
- ALL DIMENSIONS ARE CONSIDERED TRUE AND REFLECT MANUFACTURER'S SPECIFICATIONS.
- DO NOT SCALE DRAWING.
- THESE DRAWINGS ARE NOT FOR CONSTRUCTION PURPOSES AND ARE FOR INFORMATION PURPOSES ONLY. ALL INFORMATION CONTAINED HEREIN WAS CURRENT AT THE TIME OF DEVELOPMENT BUT MUST BE REVIEWED AND APPROVED BY THE PRODUCT MANUFACTURER TO BE CONSIDERED ACCURATE.
- CONTRACTOR'S NOTE: FOR PRODUCT AND COMPANY INFORMATION VISIT www.CADdetails.com/info REFERENCE NUMBER 2653-012.



PLANTERS

043 AXIS - PLANTER