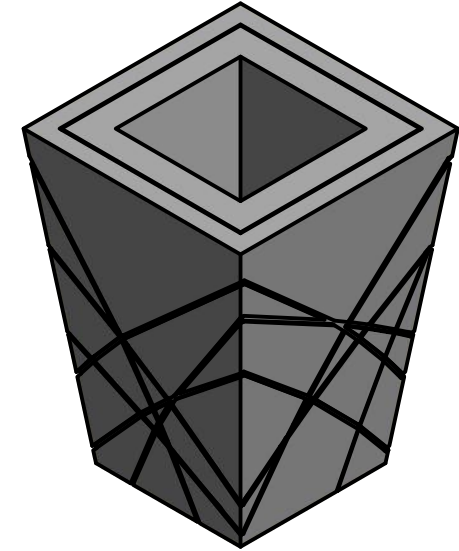
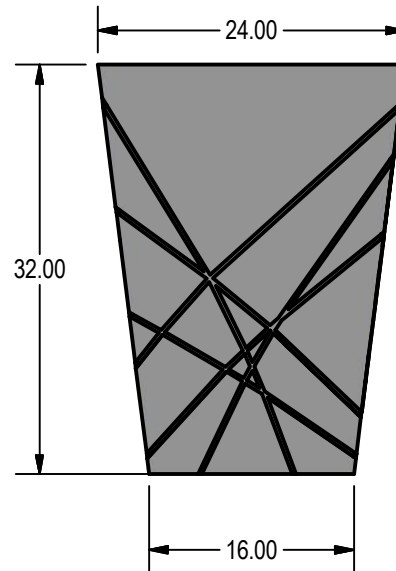
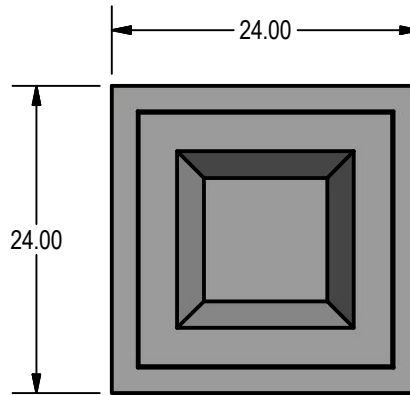




091 LATITUDE PLANTER / TRASH

SELECT DESIRED FINISH:

- BR - BRASS
- B - BRONZE
- I - CAST IRON
- CB - COBALT BLUE
- CF - COFFEE
- C - COPPER
- ES - ESPRESSO
- MB - MATTE BLACK
- MG - MATTE GREY
- MW - MATTE WHITE
- R - OXBLOOD
- SW - SHINY WHITE
- BK - SHINY BLACK
- SS - STAINLESS STEEL
- ST - STERLING

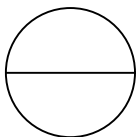


ISOMETRIC VIEW

SIZE	LENGTH	WIDTH	HEIGHT	WEIGHT WITH CARTON
24X24X32	24"	24"	32"	25 lbs.
18X18X32	18"	18"	32"	34 lbs.

NOTES:

1. INSTALLATION TO BE COMPLETED IN ACCORDANCE WITH MANUFACTURER'S SPECIFICATIONS.
2. ALL DIMENSIONS ARE CONSIDERED TRUE AND REFLECT MANUFACTURER'S SPECIFICATIONS.
3. DO NOT SCALE DRAWING.
4. THESE DRAWINGS ARE NOT FOR CONSTRUCTION PURPOSES AND ARE FOR INFORMATION PURPOSES ONLY. ALL INFORMATION CONTAINED HEREIN WAS CURRENT AT THE TIME OF DEVELOPMENT BUT MUST BE REVIEWED AND APPROVED BY THE PRODUCT MANUFACTURER TO BE CONSIDERED ACCURATE.



PLANTERS

091 LATITUDE - PLANTER
 DIMENSIONS ARE IN INCHES